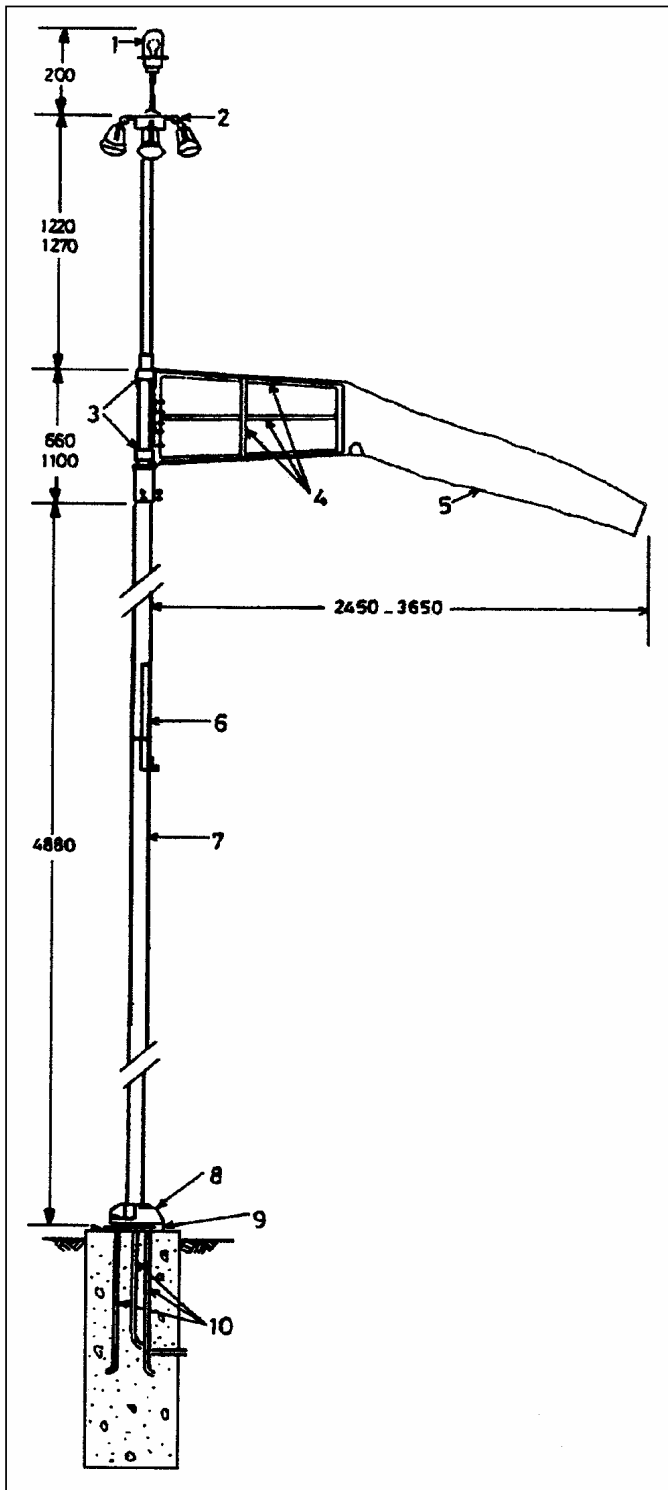


L - 807 LIGHTED WIND CONE

RELATED STANDARDS

FAA : L-807 is in accordance with FAA specifications AC-150/5345-27 L-807

ICAO : L-807 is in accordance with the photometric performances specified in Annex 14, Para. 5.1.1.



USES

L-807 provides visual information about wind direction and velocity on the ground at airports, to aircraft pilots in flight.

IMPORTANT FEATURES

- Wind cone, making a full 360° rotation, provides precise information in every wind condition.
- L-807 can be produced with or without the lighting equipment.
- Cone length can be 245cm or 365cm.
- Obstruction light can be mounted on top of the leg when requested.
- Synthetic fabric cone is coated with water repellent.
- The standard color is aviation orange, white and yellow are also available on request.

CONSTRUCTION

1. Obstruction light
2. Cone illuminating light
3. Bearing assembly
4. Basket structure for air entrance
5. Wind sock
6. Support
7. 3 inch pipe
8. Support
9. Foundation and tilting assembly
10. Anchor bolts

ELECTRIC SUPPLY

220V AC 50Hz 750W

ORDERING CODE

When ordering cone length, color and obstruction light (if wanted) should be specified.

Type 1 : 245cm long cone

Type 2 : 365cm long cone