

# PAPI-400 PRECISION APPROACH PATH INDICATOR

## RELATED STANDARDS

ICAO : PAPI-400 is in accordance with Annex 14, Vol.1, para 5.3.5.23 to 5.3.3.45

## USES

- PAPI-400 enables the pilot precisely determine the approach angle.
- PAPI-400 helps landing day and night in average conditions without the need for no other instruments.

## IMPORTANT FEATURES

- Aerodynamic and small in size**
- Sharp transition** from white to red and the intensity changes less than 3 times throughout the the full beam width.
- Long lamp life** 2x200W prefocused PK30d quartz halogen lamp lasts 1000 hours.
- Mounting and calibration** are done easily with special equipment
- Corrosion proof materials** aluminium hardware, stainless steel screws and mounting legs.
- Four legs** provide stability
- Waterproof** dust proof thanks to the gasket, internal water drained through outlets.
- Lamp bases** help provide a healthy beam without doing optical adjustment after each re-lamping.
- Hardened front glass** against stones and other flying particles moved by the helicopter propeller.

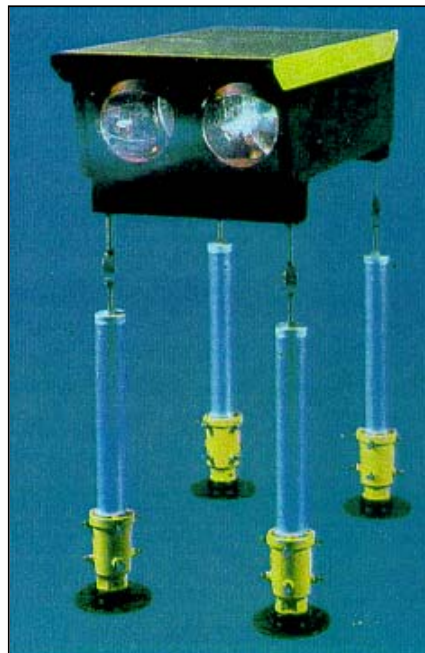


FIGURE 1

## CONSTRUCTION

1. Aluminium cover
2. Front glass
3. Outer lens (2)
4. Inner lens (2)
5. Filter holder
6. Red filter (2)
7. Specular reflector
8. Lamp, quartz halogen, prefocused PK30d (2)
9. Lamp holder (2)
10. Aluminium cast lockable body
11. Mounting leg (4)
12. Differential angle adjustment sleeve
13. Anchoring leg (4)
14. Mounting flange, breakable coupling and height adjustment equipment
15. Compression bushing (2)
16. Cable with 2 pole plug (2)
17. Anchor bolts (16) (optional)
18. Front glass gasket
19. Cover gasket

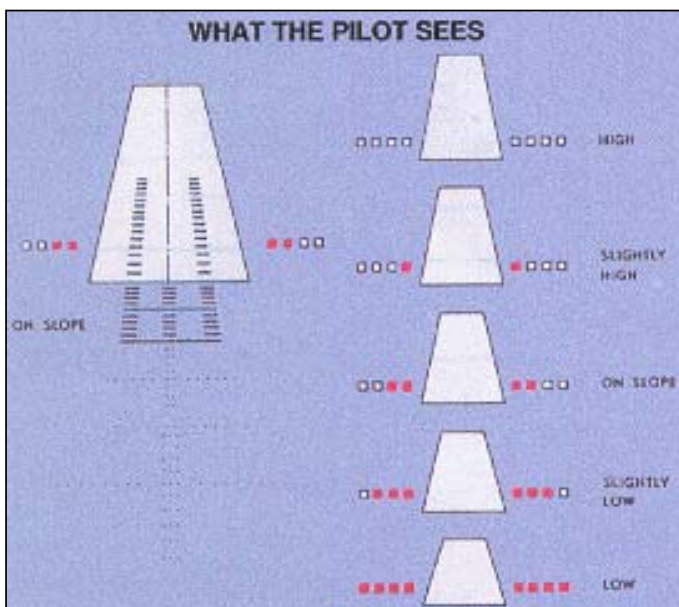


FIGURE 2

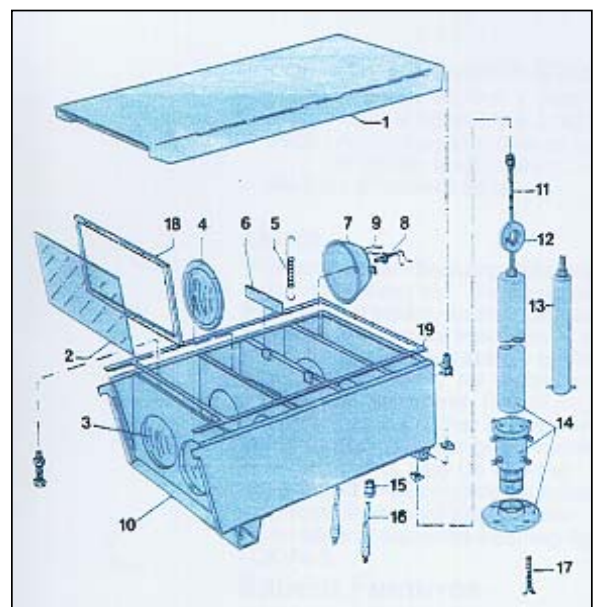


FIGURE 3

## INSTALLATION

---

System is mounted according to mounting instructions on to the concrete base where the mounting bolts are anchored.

## ELECTRICAL SUPPLY

---

Through two 200W-6,6A isolating transformers.

## FINISH

---

Phosphating and baked polyester electrostatic powder coating. The color is aviation yellow and hardware is made of stainless steel.

- Cover: Aviation Yellow
- Other surfaces: Black
- Legs: Aluminium tubing

## WEIGHT

---

Gross weight is 33 kg.

## PACKING INFO

---

In cardboard boxes of 62×40×100cm.