

T - 2045.. /..

ELEVATED TAXIWAY EDGE LIGHT

LOW INTENSITY

RELATED STANDARDS

FAA : T-2045 is in accordance with FAA specifications AC-150/5345-46B L-861T
 ICAO : T-2045 is in accordance with Annex 14, Vol.1 and Aerodrome Design Manual Part 4
 NATO : T-2045 is in accordance with STANAG 3316

APPLICATIONS

➤ As taxiway edge and apron edge light for runways of all categories

IMPORTANT FEATURES

- **Small size** helps resist heaviest jet blasts.
- **Easily mounted** with breakable coupling over a 2" muff pipe.
- **Adaptable to adverse environmental conditions** height can be increased in areas of heavy snowfall.
- **Watertight**
- **Needs less maintenance**, thanks to the minimum number of parts all simple and functional.
- **Long lamp life** 1000 hours at full intensity (6.6A) increases to 2000-4000 hours in practice since the system usually operates at lower intensities.
- **Repeatable and stable photometrics** with one PK30d quartz halogen lamp, precisely prefocused and accurately positioned in the lower body.
- **Energy Saver** with its highly efficient optics that need 45W lamps. This not only saves energy but also lengthens the lives of gaskets, glassware and wiring by reducing internal heat.



FIGURE 1

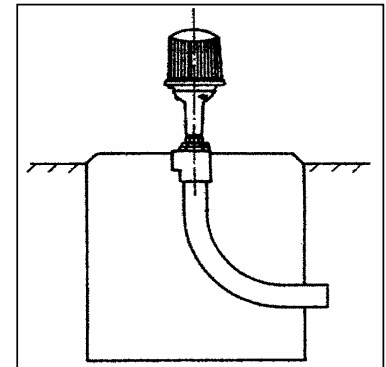


FIGURE 2

INSTALLATION

On 2" conduit elbow as seen in figure

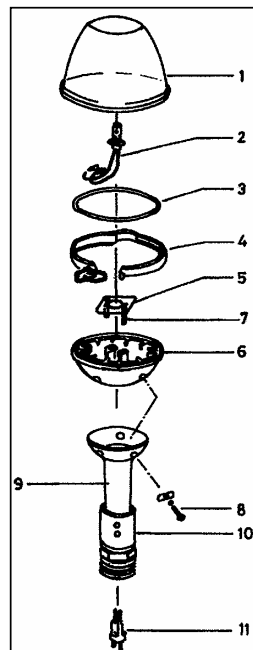


FIGURE 3

CONSTRUCTION

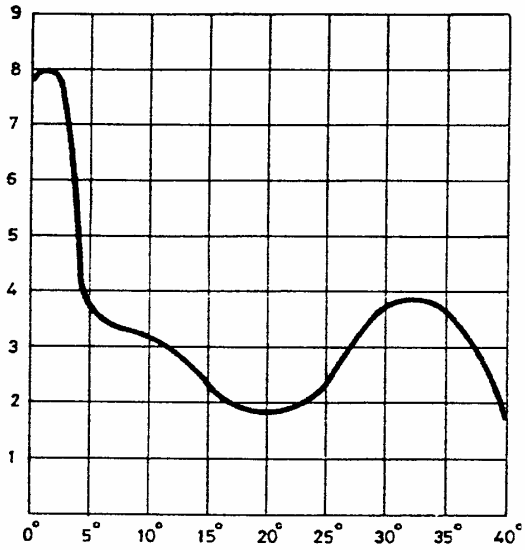
1. Blue colored, prismatic dome
2. Lamp, quartz halogen, prefocused PK30d
3. Silicone rubber gasket for watertightness
4. Stainless steel clamp
5. Lamp base
6. Upper body, die-cast aluminium alloy
7. Lamp base connector
8. Light adjustment screws
9. Lower body, die-cast aluminium alloy
10. Breakable coupling
11. 2-pole plug to FAA L-823 with heat resistant wires

ELECTRICAL SUPPLY

6,6A through a 30/45W isolating transformer.

OPTICAL PERFORMANCE

BLUE/45W



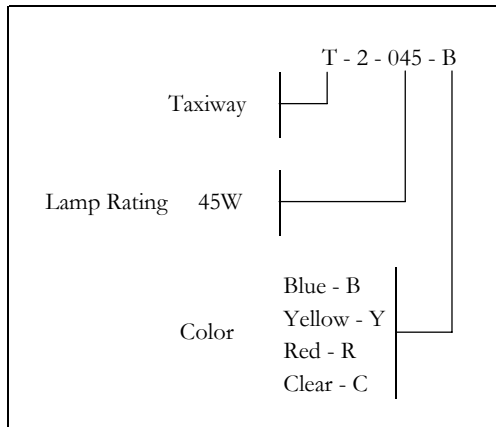
FINISH

Phosphating and baked polyester electrostatic powder coating. The color is aviation yellow and hardware is made of stainless steel.

WEIGHT

Net weight is 1,9 kg.

ORDERING CODE



PACKING INFO

In cardboard boxes of 18x18x35cm.