

# AV70 Solar Aviation Light

## Typical Applications

- Solar Airstrip Light
- Solar Barricade Light
- Solar Caution Light
- Solar Taxiway Light (ICAO)
- Solar Threshold Light
- Solar Obstruction Light

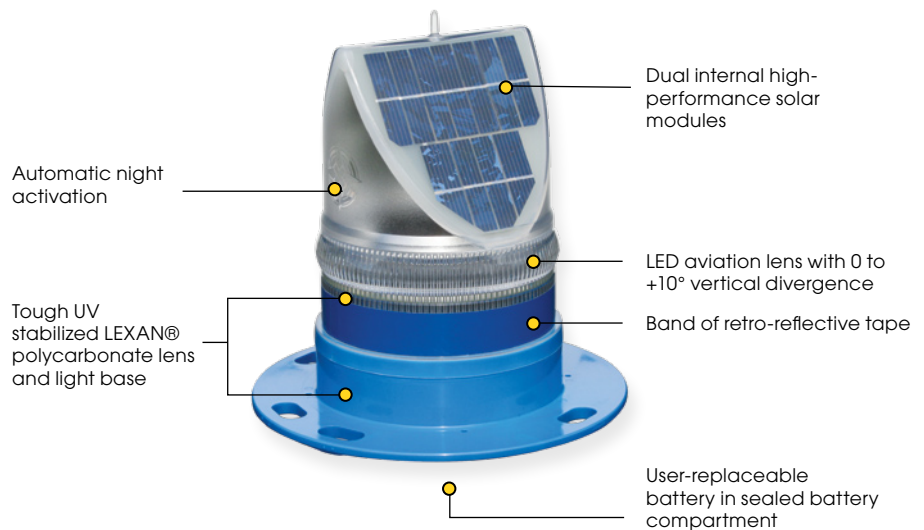
## Major Benefits

- 3.7km visible range (flashing)
- Integrated solar/battery system
- Dual internal high-performance solar modules angled to maximize solar collection
- IP68 waterproof rating
- User-replaceable battery
- ICAO Compliant AV70 Solar Taxiway Light
- Ultra-high intensity LEDs (no changing globes ever)



Accepted by Commercial Part 139 Airports under the FAA Advisory Circular AC150/5370-2E for construction and barricade installations.

The AV70 Solar Taxiway Light meets the requirements of ICAO Annex 14 Volume 1, "Aerodrome Design and Operations", 4th edition July 2004, paragraph 5.3.17.7.



**The solar powered AV70 airfield light offers enormous benefits over traditional battery and hard-wired airfield lights including low maintenance and no underground wiring.**

These completely self-contained LED lights are designed to suit a range of aviation and general applications including emergency airstrip, caution, taxiway, and threshold lighting.

The unit has two high-performance solar modules mounted within the lens, which maximize solar collection and provide reliable operation in a range of environment conditions.

The focal plane of the light is designed to provide a vertical divergence of between 0 and +10 degrees, and the user-replaceable battery ensures a service life of up to 12 years.

The AV70 is made from tough, durable UV stabilized LEXAN® polycarbonate, and incorporates an internal photodiode for automatic night activation once the ambient light threshold drops sufficiently.

Completely self-contained and able to be installed in minutes, the AV70 is the preferred choice of remote airfields throughout Australia - where the units mark indigenous airstrips, and regional council's and mining strips around the country.

## AV70-CS

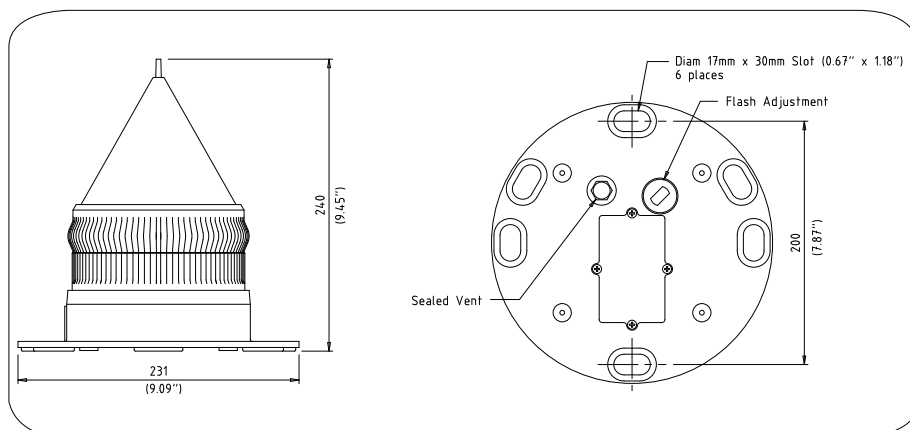
Optional internal RF module enables remote control of lantern, and flash synchronisation when all lights are set to the same flash characteristics.



## AVLITE SYSTEMS

11 Industrial Drive  
Somerville Victoria 3912 Australia  
Ph: +61 (0)3 5977 6128 Fax: +61 (0)3 5977 6124  
Web: www.avlite.com Email: info@avlite.com





## SPECIFICATIONS •

### Light Characteristics

Light Source	12 ultra-high intensity LEDs
Available Colours	Red, Green, White, Yellow, Amber, Blue, Sectored Combinations
Peak Intensity (cd)	>12 flashing, >5 fixed-on (colour dependent)
Visible Range (nm)	>2.8 flashing, >1.8 fixed-on
Horizontal Output (degrees)	360
Vertical Divergence (degrees)	0 to +10
Reflector Type	Omnidirectional 360° LED Reflector (US Pat. No. 6,667,582. AU Pat. No. 778,918)
Available Flash Characteristics	>250 including fixed-on (user-adjustable)
Intensity Adjustments	Adjustable in 25% increments
LED Life Expectancy (hours)	>100,000

### Electrical Characteristics

Operating Voltage (v)	3.6
Autonomy (days)	>20 (14 hour darkness, 12.5% duty cycle)
Temperature Range	-40 to 80 °C

### Solar Characteristics

Solar Module Type	Multicrystalline
Output (watts)	2.5 (2 x 1.25watt)
Solar Module Efficiency (%)	14
Charging Regulation	Microprocessor controlled

### Power Supply

Battery Type	High grade NiMh - Environment friendly
Battery Capacity (Ah)	8
Nominal Voltage (v)	3.6

### RF Synchronisation (optional)

Frequency	2.5Ghz
Range	1.5km between 2 lights, relayed
Expandability	Peer to Peer Networking
Approvals	FCC / CE

### Physical Characteristics

Body Material	LEXAN® Polycarbonate - UV stabilized
Lens Material	LEXAN® Polycarbonate - UV stabilized
Lens Diameter (mm/inches)	140 / 5 1/2
Lens Design	External optics with interior flute design
Mounting	6 x 17mm holes on 200mm PCD
Height (mm/inches)	240 / 9 1/2
Width (mm/inches)	231 / 9 1/8
Mass (kg/lbs)	1.1 / 2 3/8
Product Life Expectancy	Up to 12 years

### Certifications

CE	EN61000-6-3:1997. EN61000-6-1:1997
Quality Assurance	ISO9001:2000
Waterproof	IP68

### Intellectual Property

Patents	US Pat. No. 6,667,582. AU Pat. No. 778,918
Trademarks	AVLITE® is a registered trademark of Avlite Systems

### Warranty

Full 3 year warranty

### Options Available

- Hard-wire synchronization
- Voltage-free contact
- RF Synchronisation (AV70-CS)
- Radio-controlled
- IR



ROYAL FLYING DOCTOR SERVICE  
OF AUSTRALIA

Avlite donates AUD\$20 to the Royal Flying Doctor Service from the sale of each AV60 & AV70 light within Australia

CE

• Specifications subject to change or variation without notice