

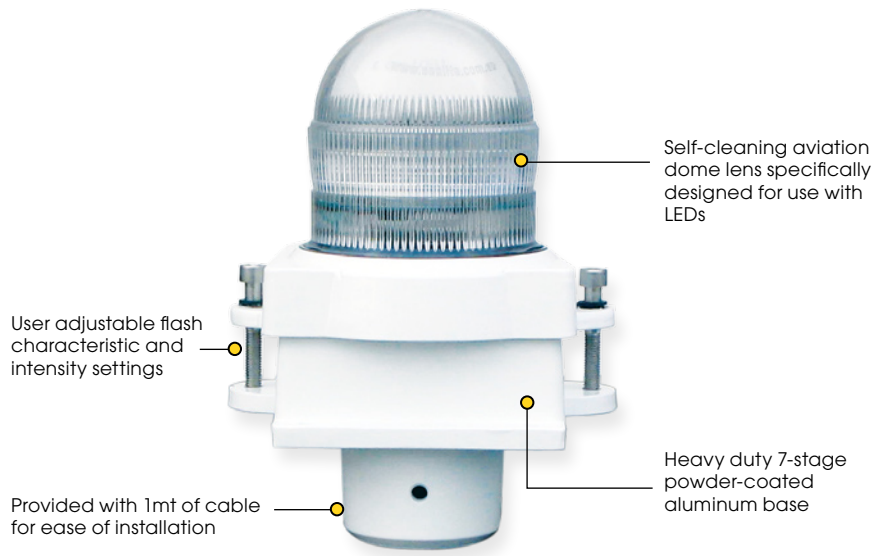
AV10 LED Obstruction Light

Typical Applications

- 12v Obstruction Light (LIOL A)

Major Benefits

- 5.4km visible range (flashing)
- 12v
- ICAO Compliant AV10 12v Obstruction Light (LIOL A)
- Ultra-high intensity LEDs (no changing globes ever)



The AV10 low intensity LED obstruction light complies with ICAO requirements for obstructions whereby the height does not exceed 45m, and is also suitable for a range of marker lighting applications.

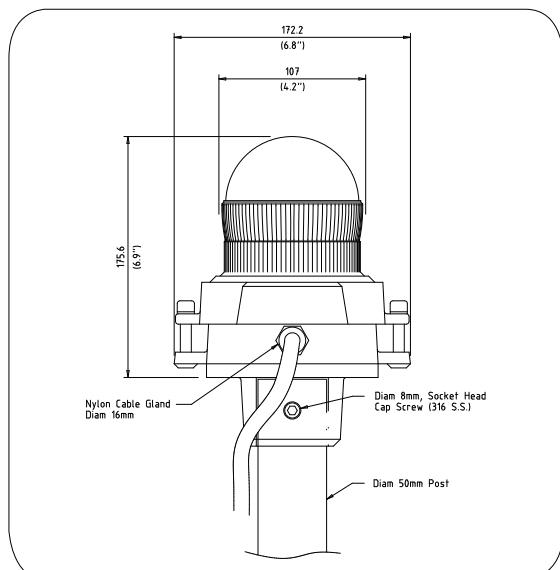
The light uses 20 ultra-high intensity LEDs as a light source and has a visible range of 5.4km. In addition, the AV10 uses the 360 degree LED Reflector (U.S. Pat. No. 6,667,582. AU Pat. No. 778,918) which increases the intensity and uniformity of the horizontal output.

Housed in a 7-stage powder-coated cast aluminum case, the AV10 will provide years of zero-maintenance service, and is available 12v (standard), 24v or 48v.



This equipment meets the requirements of a Low Intensity Type A Obstruction Light, ICAO Annex 14 volume 1, "Aerodrome Design and Operations", Forth Edition July 2004.





SPECIFICATIONS •

Light Characteristics

Light Source	20 ultra-high intensity LEDs
Available Colours	Red (other colours available)
Peak Intensity (cd)	>25 flashing, >10 fixed-on
Visible Range (nm)	>3 flashing, >2 fixed-on
Horizontal Output (degrees)	360
Vertical Divergence (degrees)	0 to +10
Reflector Type	Omnidirectional 360° LED Reflector (US Pat. No. 6,667,582. AU Pat. No. 778,918)
Available Flash Characteristics	>250 including fixed-on (user-adjustable)
Intensity Adjustments	Adjustable in 25% increments
LED Life Expectancy (hours)	>100,000

Electrical Characteristics

Current Draw (mA)	180
Circuit Protection	Integrated
Operating Voltage (v)	12
Temperature Range	-40 to 80 °C

Physical Characteristics

Body Material	7-stage powder-coated aluminum
Lens Material	LEXAN® Polycarbonate – UV stabilized
Lens Diameter (mm/inches)	107 / 4 1/4
Lens Design	External optics with interior flute design
Mounting	50mm OD pole
Height (mm/inches)	176 / 6 7/8
Width (mm/inches)	172 / 6 4/5
Mass (kg/lbs)	1.6 / 3 1/2
Product Life Expectancy	Up to 12 years

Certifications

CE	EN61000-6-3:1997. EN61000-6-1:1997
Quality Assurance	ISO9001:2000

Intellectual Property

Patents	US Pat. No. 6,667,582. AU Pat. No. 778,918
Trademarks	AVLITE® is a registered trademark of Avlite Systems

Warranty

Full 3 year warranty

Options Available

- GPS synchronization
- Additional cable
- Hardwired synchronization
- Other LED colours to suit different applications
- 24v or 48v operating voltages
- IR

CE

• Specifications subject to change or variation without notice